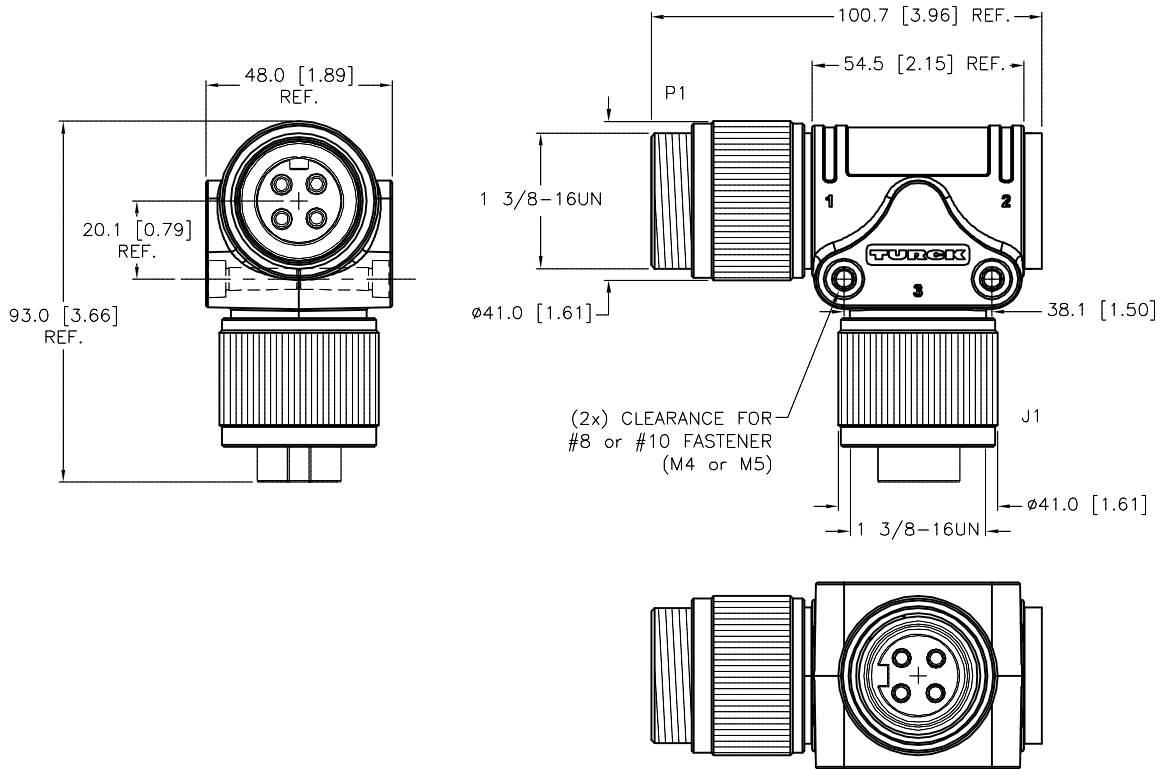


SPECIFICATIONS	
CONTACT CARRIER MATERIAL/COLOR	PVC/BLACK
MOLDED MATERIAL/COLOR	PVC/BLACK
CONTACT MATERIAL/PLATING	BRASS or COPPER/GOLD
COUPLING NUT MATERIAL/PLATING	BRASS/NICKEL
RATED CURRENT [A]	35.0 A
RATED VOLTAGE [V]	600 VAC
TEMPERATURE RATING	-40°C to +90°C (-40°F to +194°F)
PROTECTION CLASS	MEETS NEMA 1,3,4,6P AND IEC IP67, IP68, IP69K
APPROVALS AND CERTIFICATIONS	CE, UL 2237



**SOURCE DRAWING - FOR REFERENCE ONLY**

**CAUTION:**  
 RISK OF ELECTRICAL SHOCK  
 DO NOT DISCONNECT UNDER LOAD

RELATED DOCUMENTS 1. 2. 3. 4.	3RD ANGLE PROJECTION 	THIS DRAWING IS CONFIDENTIAL AND THE PROPERTY OF TURCK INC. USE OF THIS DOCUMENT WITHOUT WRITTEN PERMISSION IS PROHIBITED.		3000 CAMPUS DRIVE MINNEAPOLIS, MN 55441 1-800-544-7769 (763) 553-7300 (763) 553-0708 fax www.turck.us			
		MATERIAL  SEE SPECIFICATIONS	DRFT RDS APVD J.B.	DATE 08/20/12 SCALE 1=2.0	DESCRIPTION  GSDM GKDWM 40-0		
		FINISH  SEE SPECIFICATIONS	UNIT OF MEASUREMENT <b>MILLIMETER [ INCH ]</b>				
		CONTACT TURCK FOR MORE INFORMATION		DO NOT SCALE THIS DRAWING		FILE: U2-20779	SHEET 1 OF 1

F	UPDATE RATED CURRENT	RDS	04/12/19	69350
REV	DESCRIPTION	BY	DATE	ECO NO.